



# CP-6T

KEEPERS OF THE SOUND



## COMPACT, HIGH PERFORMANCE INDOOR/OUTDOOR 70/100 VOLT LOUDSPEAKER

The Klipsch Compact Performance CP-6T cabinet speaker, with its weather-resistant design combined with its small stature, is the perfect 70/100 Volt distributed audio solution for retail, hospitality, restaurants and bars, whether operation is indoors or out. The proprietary Tractrix® Horn assures a highly efficient design that reproduces sound with unmatched low-distortion clarity and detail at both foreground and background volume levels. The conical-shaped, long-throw woofer is designed for minimal cone breakup for more accurate low frequency response and is reinforced with dual, front-firing ports in a bass-reflex design for maximum bass output wherever the speaker is located. The 90° x 90° horn dispersion assures wide, even coverage pattern in either a horizontal or vertical position. Traditional Klipsch efficiency provides maximum output with minimum wattage.

## FAST, EASY INSTALLATION WITH A REFINED LOOK

The CP-6T makes a highly aesthetic statement, designed to have an appealing look from all angles with its integrated bracket and its ability to be tightly mounted into a wall-to-wall or wall-to-ceiling corner due to its V-shaped rear profile. The front bracket attachment combined with front baffle speaker terminals assures a safe, easy, one-screwdriver installation. Tool-free 15° increment angle adjustment makes positioning a breeze. Tap settings are also conveniently front-baffle placed for quick access. If needed, the CP-6T is provided with dual 1/4", 20 thread, rear-positioned inserts for utilization of a third party bracket and/or a safety cable attachment. The CP-6T is offered in a paintable Black or White cabinet with matching grille.

## OUTPUT THAT OUTPACES ITS DIMINUTIVE SIZE

With high sensitivity combined with multiple tap settings, the CP-6T is the perfect choice for numerous commercial applications of varying sizes. Its 8 ohm bypass allows quick adaptability for venues that specify separate 70/100 Volt and low impedance zones in the same system. Available in a paintable Black or White cabinet.

## SPECIFICATIONS

FREQUENCY RESPONSE <sup>1</sup>	83Hz-22kHz +/- 3dB
POWER HANDLING <sup>2</sup>	75 w (300 peak) (8 ohm bypass)
MAX CONTINUOUS OUTPUT <sup>3</sup>	111 dB (8 ohm bypass)
30 watt Tap	105 dB 70 V/108 dB 100V
15 watt Tap	102 dB 70 V/105 dB 100V
7v Tap	99 dB 70 V/102 dB 100V
3.75 watt Tap	96 dB 70V/99 dB 100V
SENSITIVITY <sup>4</sup>	94 dB
NOMINAL IMPEDANCE	8 ohm (8 ohm bypass)
TWEETER	.75" (1.9cm) aluminum dome tweeter
HIGH FREQUENCY HORN	90° x 90° Tractrix® Horn
WOOFER	5.25" (13.3cm) long-throw IMG woofer
CROSSOVER FREQUENCY	3kHz 12dB octave
ENCLOSURE TYPE	Bass-reflex via dual front-firing ports
ENCLOSURE MATERIAL	Anti-resonant, mineral-filled PPC; paintable, weather resistant
GRILLE	Powder-coated aluminum w/rotatable logo
TERMINALS	Front baffle mounted accessed via rear pull-through
SPEAKER WEIGHT	6.85 lbs (3.1 kg)
SPEAKER DIMENSIONS	11.0"(27.9cm) H x 7.0"(17.8cm) W x 6.1"(15.5cm) D
SPEAKER DIMENSIONS W/ WALL MOUNT	11.0"(27.9cm) H x 7.0"(17.8cm) W x 6.9"(17.5cm) D
OTHER MOUNTING OPTIONS	1/4", 20-thread inserts on cabinet rear
FINISHES	White/Black enclosure and grille
WIRE GAUGE ACCOMMODATED	up to 16AWG
SOLD AS	Speaker pairs
INCLUDED IN CARTON	Speakers (x2), Grilles (x2), Brackets (x2), Manual, Mounting Template, Bracket Retaining Screws (x4), Safety Instructions, Grille Removal Tool
CARTON DIMENSIONS	15"(380mm) H x 19.5"(496mm) W x 10.6"(268mm) D
TOTAL CARTON WEIGHT	17.19 lbs.(7.8kg)
ITEM NUMBER	1060388 (white), 1016298 (black)
UPC	743878027044 (white), 743878025996 (black)
BUILT FROM	2014

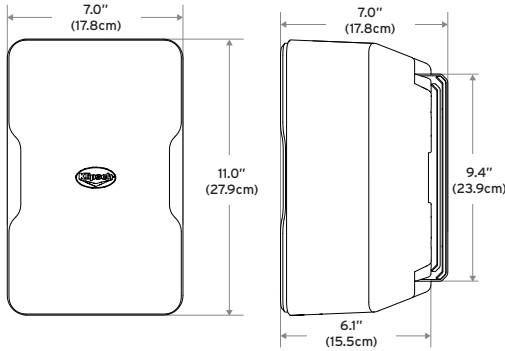
<sup>1</sup> 3M anechoic

<sup>2</sup> IEC 268-5 filtered pink noise with 6dB crest factor

<sup>3</sup> Calculated at 1M at power handling power input

<sup>4</sup> SPL at 1M, anechoic with 2.83V input

# CP-6T



## TOOLS NEEDED FOR CP-6T WALL-MOUNT INSTALLATION:

- a) Level
- b) One pencil
- c) 1 Philips #2 screwdriver OR One Power Drill with A LOW TORQUE SETTING and a Philips #2 screwdriver bit
- d) Four #10 or #12, 2.5-3" (4-5cm) Pan head Screws (Two for each speaker bracket) for mounting into wall stud OR Four minimum 10 lb. (5kg) Wall Anchors if stud-mounting is unavailable

## TIPS ON DESIGNING/INSTALLING A 70/100 VOLT AUDIO DISTRIBUTION SYSTEM WITH KLIPSCH CP-6T SPEAKERS:

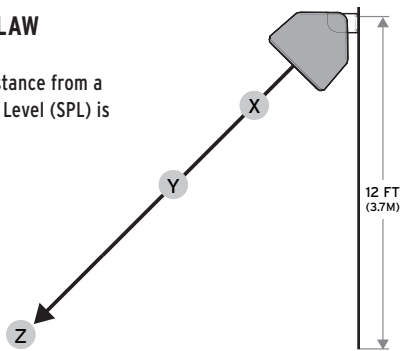
Using a quality SPL meter, first determine the ambient noise level of the business you are designing a system for. Then determine the area(s) the customer wants to cover and if they desire a Background or Foreground music system for their particular business.

- Ambient Noise Levels: Measure at peak business hours to determine highest level
- Background Music Levels: Usually 3-6 decibels (dB's) above the ambient noise level in an area
- Foreground Music levels: 10+ dB's above the ambient noise level (used in high-energy environments)

When determining speaker heights to mount over a given area, note the Inverse Square Law for sound and the fact that when placing a speaker in a corner 3 dB additional output (+3dB) is obtained. In an area people are seated calculate coverage to 3.5 ft (1m) from floor, in an area people stand 5 ft. (1.5m) from floor

## INVERSE SQUARE LAW

For every doubling of distance from a speaker Sound Pressure Level (SPL) is reduced by 6dB (-6dB)

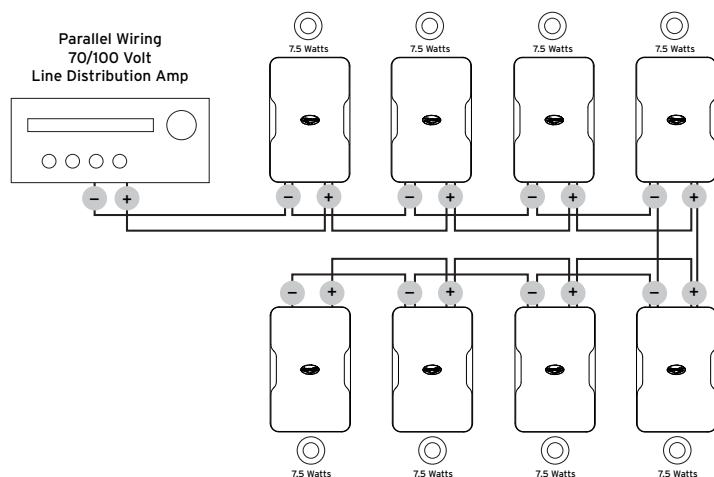
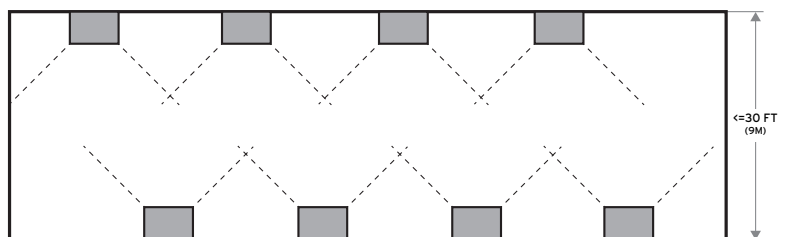


## SPEAKER IN WALL/CEILING OR WALL/WALL

**EXAMPLE: Speaker in Corner (+3dB)**  
 CP-4T Sensitivity: 94 dB@1 watt, 1 meter  
 TAP: 3.75 watts  
 X (1m) = 103 dB  
 Y (2m) = 97 dB  
 Z (4m) = 91 dB

**EXAMPLE: Speaker on Wall**  
 CP-4T Sensitivity: 94 dB@1 watt, 1 meter  
 TAP: 3.75 watts  
 X (1m) = 100 dB  
 Y (2m) = 94 dB  
 Z (4m) = 88 dB

Space speakers on wall all at the same height aimed down toward listening area. Space according to coverage pattern (90°). Stagger opposing speakers if within 30 ft. (9m) on opposite wall. Closer spacing produces most even coverage. Avoid obstacles in front of speakers For more reverberant rooms mount speakers lower at 8-12 ft. (2.4-3.7m) from floor.



Choose a 70/100 Volt Line Distribution Amplifier based on total wattage needed to power amount of speakers at selected tap settings PLUS, we recommend, 50% additional power to cover additional dynamic headroom/future expansion. Wire all speakers in parallel.

Example: Eight CP-6T speakers tapped at 7.5 watts each =  
 8 x 7.5 = 60 watts + additional 50% wattage = 90 watt amplifier