

# Concert Legacy 9

## Compact High-end Floorstanding Speakers

Concert Legacy 9 is a compact floorstanding 3-way with the iconic SEAS LI8REX aluminium-magnesium midrange made in Norway, dual 165 mm Scan-Speak birch fibre woofers, and Jamo DualCore: a dual-chamber enclosure that physically isolates the sealed midrange volume from the bass below via a 75 Shore A rubber layer. The horizontal line on the exterior marks this boundary precisely.

Down-firing port in the aluminium plinth reduces placement sensitivity. The dual-tone front – gloss below, matte above – reflects the architecture within.

### Key Features

Scan-Speak tweeter, made-in-Denmark – Custom soft dome with a Legacy-specific faceplate, tuned at Scan-Speak's own facility.

Jamo DualCore – Sealed dual-chamber enclosure with 75 Shore A rubber decoupling physically isolates mid and high frequencies from bass pressure.

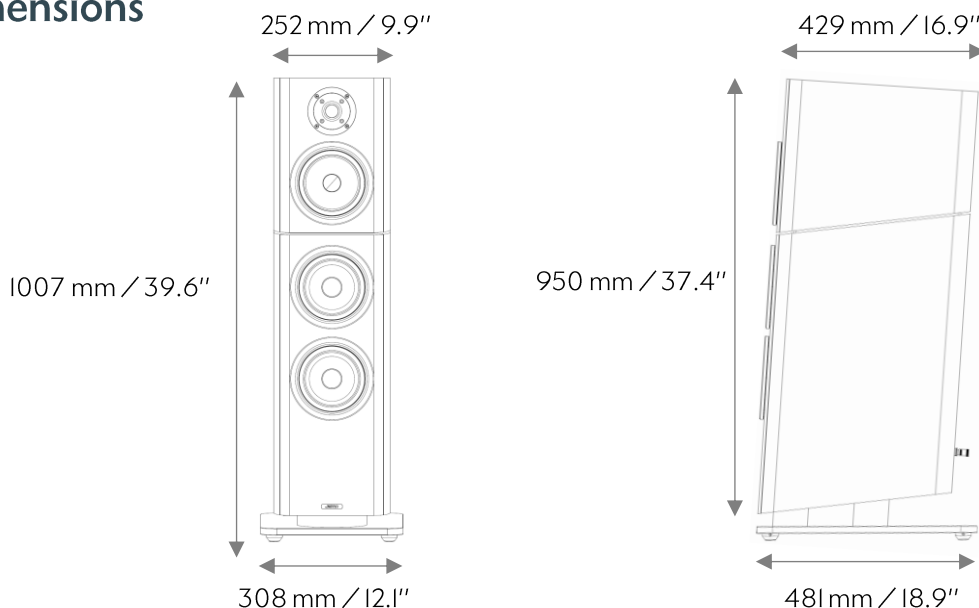
Down-firing port with aluminium plinth – Integrated port design eliminates rear-wall sensitivity without acoustic compromise



SEAS LI8REX made-in-Norway midrange – Al/Mg cone with copper-accented phase plug delivers speed and neutrality in the most perceptually sensitive register.

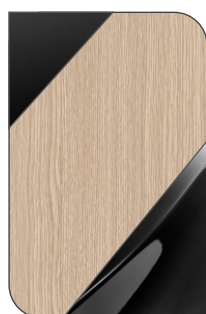
Bespoke woofer cones with Finnish fibre – Dual 165 mm Scan-Speak woofers with wood fibre-reinforced paper cones.

### Dimensions



# Technical Specifications

<b>Acoustical Features</b>	Type	Floorstanding passive loudspeaker 3-way bass-reflex Made in Denmark
	Speaker Drivers Configuration & Technologies	<ul style="list-style-type: none"> <li>• LF : 2 x 165 mm (6.5") Scan-Speak woofer Wood fibre cone material from Finland</li> <li>• MF : 1 x 165 mm (6.5") SEAS midrange Aluminium/Magnesium cone Iconic copper-accented phase plug</li> <li>• HF : 1 x 25 mm (1") Scan-Speak positive dome tweeter</li> </ul>
	Frequency Response (-3 dB)	33 Hz – 21 kHz
	Low-frequency Cut-off (-6dB)	27 Hz
	Cutoff Frequency	250 Hz / 3 kHz
	Sensitivity (2.83V @ 1m)	92 dB
	Recommended Amplifier Power	40 W – 200 W
	Impedance	4 Ω
	Inputs	Bi-wiring terminal
<b>Product Main Information</b>	Product Dimensions (Including Feet) H x W x D (mm) H x W x D (inches)	1007 x 308 x 481 mm 39.6" x 12.1" x 18.9"
	Net Product Weight (Unit)	36 kg / 79.4 lbs
	Weight (Packaging Included)	40 kg / 88.2 lbs
	Included Accessories	Magnetic grilles Adjustable rubber feet Terminal jumpers
	Available Colours	Heritage Northern Frost Onyx



## Heritage

Upper baffle  
Matte black

Lower baffle  
High gloss black

Cabinet  
Light oak veneer



## Northern Frost

Upper baffle  
Matte black

Lower baffle  
High gloss black

Cabinet  
White oak veneer



## Onyx

Upper baffle  
Matte black

Lower baffle  
High gloss black

Cabinet  
Ebonised oak veneer