

Concert Legacy II

High-end Floorstanding Speakers

Concert Legacy II is the fullest expression of the family. Three 165 mm Scan-Speak birch fibre woofers anchor a 3-way architecture extending to 32 Hz without a subwoofer.

The iconic SEAS LI8REX aluminium-magnesium midrange occupies the sealed upper chamber of the Jamo DualCore enclosure, isolated from the bass below by a 75 Shore A rubber layer.

At 94 dB sensitivity, it responds to amplification with uncommon directness. A passive flagship for the listener who wants to hear everything the recording contains.

Key Features

Scan-Speak tweeter, made-in-Denmark – Custom soft dome with a Legacy-specific faceplate, tuned at Scan-Speak's own facility.

Jamo DualCore – A sealed dual-chamber enclosure with 75 Shore A rubber decoupling physically isolates mid and high frequencies from bass pressure.

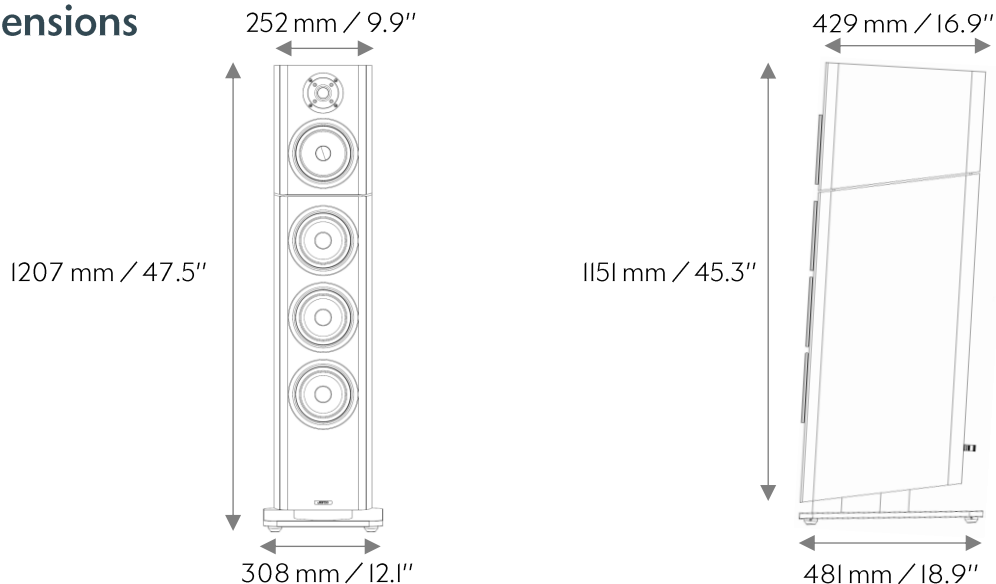
Down-firing port with aluminium plinth – Integrated port design eliminates rear-wall sensitivity without acoustic compromise.



SEAS LI8REX made-in-Norway midrange – Al/Mg cone with copper-accented phase plug delivers speed and neutrality in the most perceptually sensitive register.

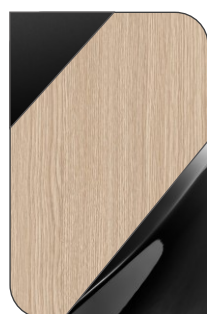
Bespoke woofer cones with Finnish fibre – A trio of 165 mm Scan-Speak woofers with wood fibre-reinforced paper cones.

Dimensions



Technical Specifications

Acoustical Features	Type	Floorstanding passive loudspeaker 3-way bass-reflex Made in Denmark
	Speaker Drivers Configuration & Technologies	<ul style="list-style-type: none"> • LF : 3 x 165 mm (6.5") Scan-Speak woofer Wood fibre cone material from Finland • MF : 1 x 165 mm (6.5") SEAS midrange Aluminium/Magnesium cone Iconic copper-accented phase plug • HF : 1 x 25 mm (1") Scan-Speak positive dome tweeter
	Frequency Response (-3 dB)	32 Hz – 21 kHz
	Low-frequency Cut-off (-6dB)	26 Hz
	Cutoff Frequency	250 Hz / 3 kHz
	Sensitivity (2.83V @ 1m)	94 dB
	Recommended Amplifier Power	50 W – 250 W
	Impedance	4 Ω
	Inputs	Bi-wiring terminal
Product Main Information	Product Dimensions (Including Feet) H x W x D (mm) H x W x D (inches)	1207 x 308 x 481 mm 47.5" x 12.1" x 18.9"
	Net Product Weight (Unit)	40 kg / 88.2 lbs
	Weight (Packaging Included)	44 kg / 97 lbs
	Included Accessories	Magnetic grilles Adjustable rubber feet Terminal jumpers
	Available Colours	Heritage Northern Frost Onyx



Heritage

Upper baffle
Matte black

Lower baffle
High gloss black

Cabinet
Light oak veneer



Northern Frost

Upper baffle
Matte black

Lower baffle
High gloss black

Cabinet
White oak veneer



Onyx

Upper baffle
Matte black

Lower baffle
High gloss black

Cabinet
Ebonised oak veneer