

Concert Element SW10

Hi-fi Subwoofer

Concert Element SW10 extends Concert Element's frequency response to the lowest registers with precision rather than volume.

A sealed enclosure and a 250 mm long-throw driver deliver bass that arrives and resolves at the speed of the music. 150 W Class D amplification, a variable crossover from 40 to 140 Hz, and continuously variable phase control give complete integration flexibility with any main speakers.

Once set up, its contribution is not something you identify. It is something you notice when it is absent.

Key Features

Complete integration control – Variable crossover 40–140 Hz, continuous phase 0–180°, progressive 0/+6 dB EQ boost at 55 Hz.

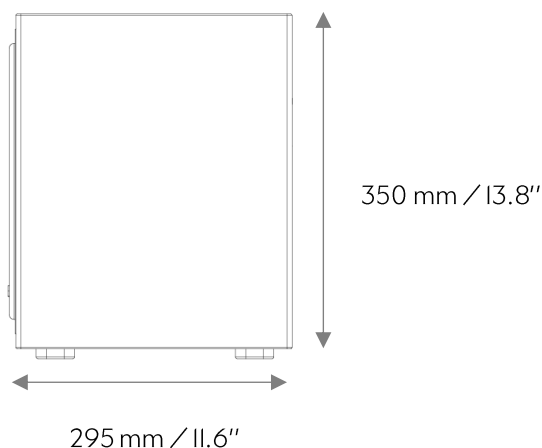
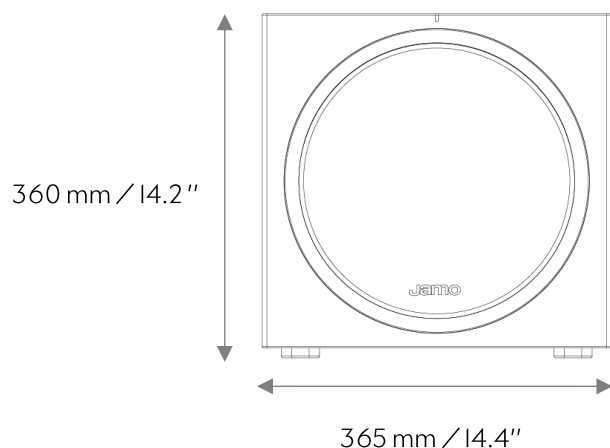
DSP-controlled low-end precision – 150 W RMS / 300 W max Class D amplification.

Sealed Precision – A sealed enclosure chosen for control over maximum output.



Long-throw 250 mm driver – Long-throw driver, bespoke-designed in Denmark.

Dimensions



Technical Specifications

Acoustical Features	Type	Hi-fi subwoofer Active bass-reflex
	Speaker Drivers Configuration & Technologies	1 x 250 mm (10") woofer Long-throw driver 4 layers voice coil
	Bandwidth (+/-3dB)	30 Hz - 250 Hz
	Low-frequency Cut-off (-6dB)	20 Hz
	Adjustable Low-pass	40 Hz / 140 Hz
	Adjustable Phase	Progressive 0° / 180°
Connectivity & Audio	Adjustable EQ	0 / +6 dB fixed frequency @ 55Hz
	Inputs	Dual RCA / LFE line in
Electrical Features	Mode	Auto / ON
	Amplification Power (Rated/Max)	150 W / 300 W - D Class
	Power Supply	AC 100-120V/60Hz 220-240V/50Hz
Product Main Information	Power Consumption	Standby mode: < 0.5 W
	Product Dimensions (Including Feet)	
	H x W x D (mm)	360 x 365 x 295 mm
	H x W x D (inches)	14.2" x 14.4" x 11.6"
	Net Product Weight	11.8 kg / 26 lbs
	Included Accessories	Magnetic grilles (2 sets); dark grey and light grey Power cord Rubber pads
	Available Colours	● Onyx ● Northern Frost



Onyx



Northern Frost