

Concert Element 70

Compact Hi-fi Floorstanding Speakers

The 70 carries the Concert Element design language – circular driver module extending beyond the shallow cabinet, a form that makes the driver the visual and acoustic centre – into compact floorstanding proportions.

The larger cabinet volume extends low-frequency performance for larger rooms without requiring a subwoofer, while the shallow depth keeps the footprint minimal.

A 3-way passive architecture with bespoke SB Acoustics drivers, and a generous 200 mm woofer tuned to this enclosure. Pair it with the amplifier you choose.

Key Features

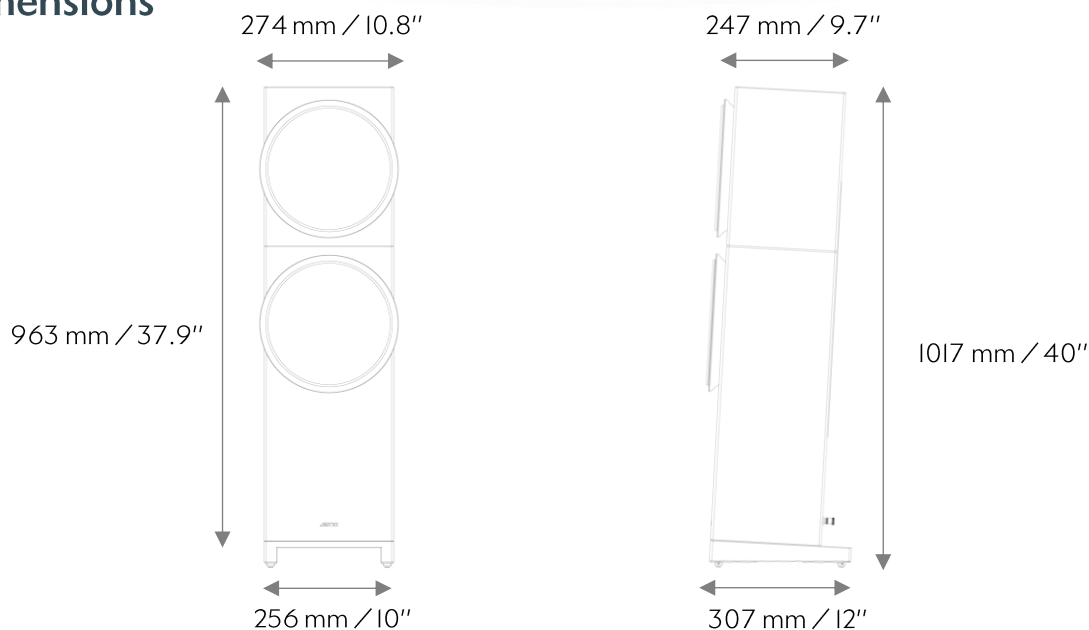
Bespoke drivers designed in Denmark – Nettle fibre cones on 130 mm midrange and 200 mm woofer.

25 mm soft dome tweeter with Waveguide – Balanced precision and smoothness for increased airiness and detail.

Down-firing port tube – Flexible placement, no compromise in audio quality.



Dimensions



Technical Specifications

Acoustical Features	Type	Compact Hi-fi floorstanding passive speakers 3-way bass-reflex
	Speaker Drivers Configuration & Technologies	<ul style="list-style-type: none"> • LF: 1 x 200 mm (8") woofer Scandinavian nettle fibre cone • MF: 1 x 130 mm (5") medium Scandinavian nettle fibre cone • HF: 1 x 25 mm (1") tweeter Soft positive dome
	Bandwidth (+/-3dB)	40 Hz – 22 kHz
	Low-frequency Cut-off (-6dB)	35 Hz
	Sensitivity (2.83V @ 1m)	87 dB
	Recommended Amplifier Power	50 W – 200 W
	Impedance	4 Ω
	Inputs	Bi-wiring terminal
Product Main Information	Product Dimensions (Including Feet) H x W x D (mm) H x W x D (inches)	1017 x 274 x 307 mm 40" x 10.8" x 12"
	Net Product Weight (Unit)	18.8 kg / 41.4 lbs
	Included Accessories	Magnetic grilles (2 sets); dark grey and light grey Adjustable rubber feet Terminal jumpers
	Available Colours	<ul style="list-style-type: none"> ● Onyx ● Northern Frost



Onyx



Northern Frost